

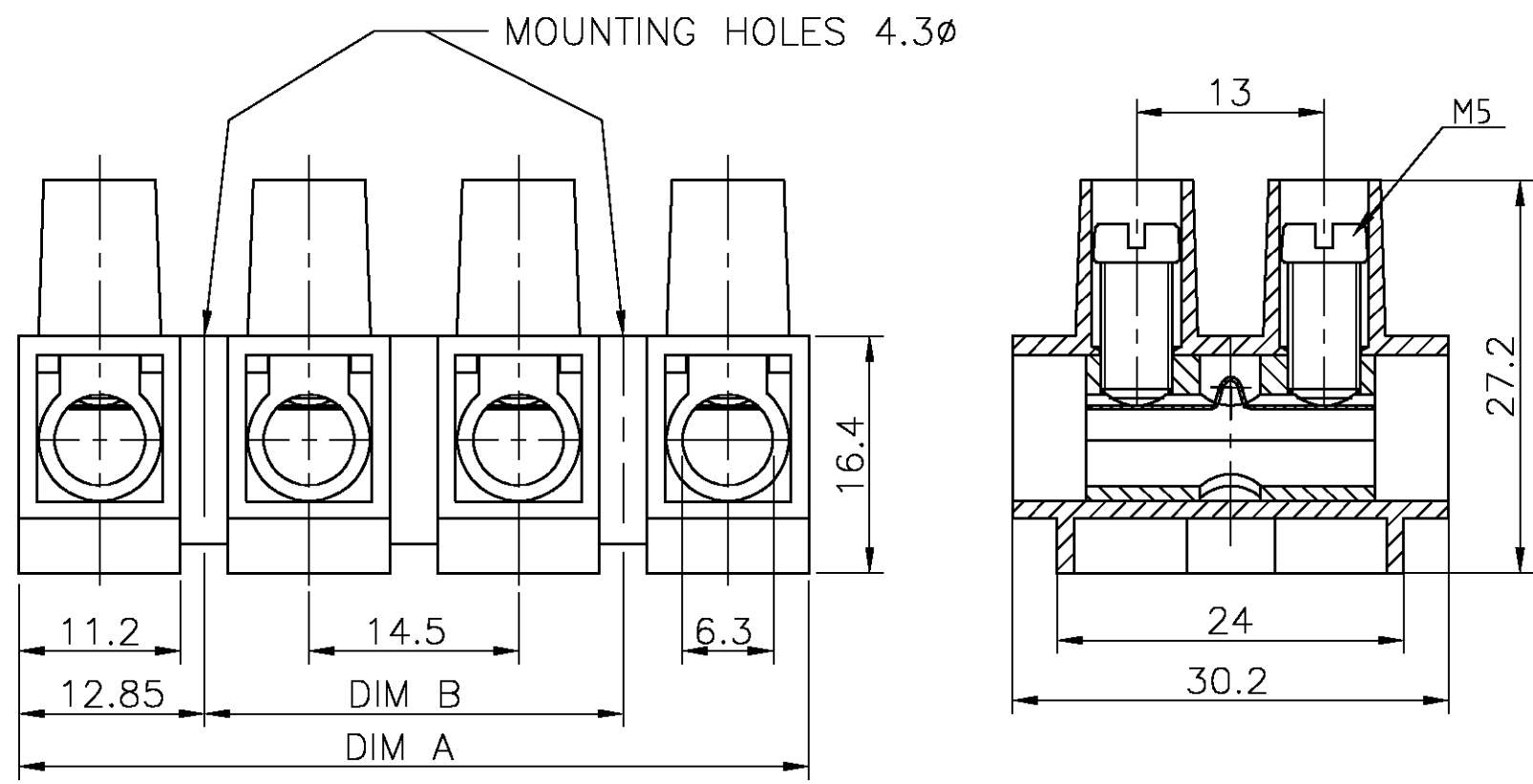
THIS DRAWING IS UNPUBLISHED. RELEASED FOR PUBLICATION
 © COPYRIGHT BY TYCO ELECTRONICS CORPORATION. ALL RIGHTS RESERVED.

LOC	DIST	REVISIONS			
P	LTR	DESCRIPTION	DATE	DWN	APVD
FT	0	0	REVISED PER 0G3B-1020-04	3/21/05	SS CR

MATERIAL:
 HOUSING: POLYIMIDE 6 UL94V-2.
 COLOR: NATURAL (OFF WHITE).
 TUBULAR CONTACT: BRASS, TIN PLATED.
 SCREW: M5, STEEL, ZINC PLATED W/ NON-HEXAVALENT CHROMATE (CHROME III).
 WIRE PROTECTOR: STAINLESS STEEL

ELECTRICAL:
 CURRENT RATING: 65A, 600V.
 WIRE RANGE: 6-14 AWG.

CONTINUOUS WORKING TEMP.: 100°C MAX.



DIM B	DIM A	T & B PART NUMBER	TYCO PART NUMBER
145	170.7	TSB200012DSUS	1-1776315-2
130.5	156.2	TSB200011DSUS	1-1776315-1
116	141.7	TSB200010DSUS	1-1776315-0
101.5	127.2	TSB200009DSUS	1776315-9
87	112.7	TSB200008DSUS	1776315-8
72.5	98.2	TSB200007DSUS	1776315-7
58	83.7	TSB200006DSUS	1776315-6
43.5	69.2	TSB200005DSUS	1776315-5
29	54.7	TSB200004DSUS	1776315-4
14.5	40.2	TSB200003DSUS	1776315-3
-	25.7	TSB200002DSUS	1776315-2
-	11.2	TSB200001DSUS	1776315-1

THIS DRAWING IS A CONTROLLED DOCUMENT.		DWN S SCHLEGEL 3/21/05	Tyco Electronics Corporation Harrisburg, Pa 17105-3608	
DIMENSIONS: mm		CHK C RICHARD 3/21/05		
TOLERANCES UNLESS OTHERWISE SPECIFIED:		APVD C RICHARD 3/21/05	NAME 14.5MM PITCH WIRE PROTECTOR 65A HIGH VOLTAGE VERSION	
0 PLC ± - 1 PLC ± 0.3 2 PLC ± 0.25 3 PLC ± - 4 PLC ± - ANGLES ± 2°		PRODUCT SPEC -	APPLICATION SPEC -	
MATERIAL -	FINISH -	WEIGHT -	SIZE A3	CAGE CODE 00779
CUSTOMER DRAWING			DRAWING NO C-1776315	RESTRICTED TO -
			SCALE NTS	SHEET 1 OF 1
			REV 0	